

BVC 3 SERIES

Three way high pressure ball valves

INTRODUCTION

Holmbury's BVC 3 Series three way high pressure ball valves are designed to suit a wide range of applications. These valves should not be used as flow control valves and should therefore always be fully open or closed.

CONSTRUCTION

- Carbon steel with trivalent plating
- Fitted with Nitrile seals
- Also available in AISI 316 stainless steel (See BVS 3 Series)

FEATURES

- Available in 'L' or 'T' port configurations
- One piece body design provides additional strength
- Full bore valves provide unrestricted flow path for negligible pressure drop
- 90 degree operation
- Cranked handle allows clearance for easy operation

ACCESSORIES

- Valve Locking Kits and Valve Handles are available for the BVC 3 Series



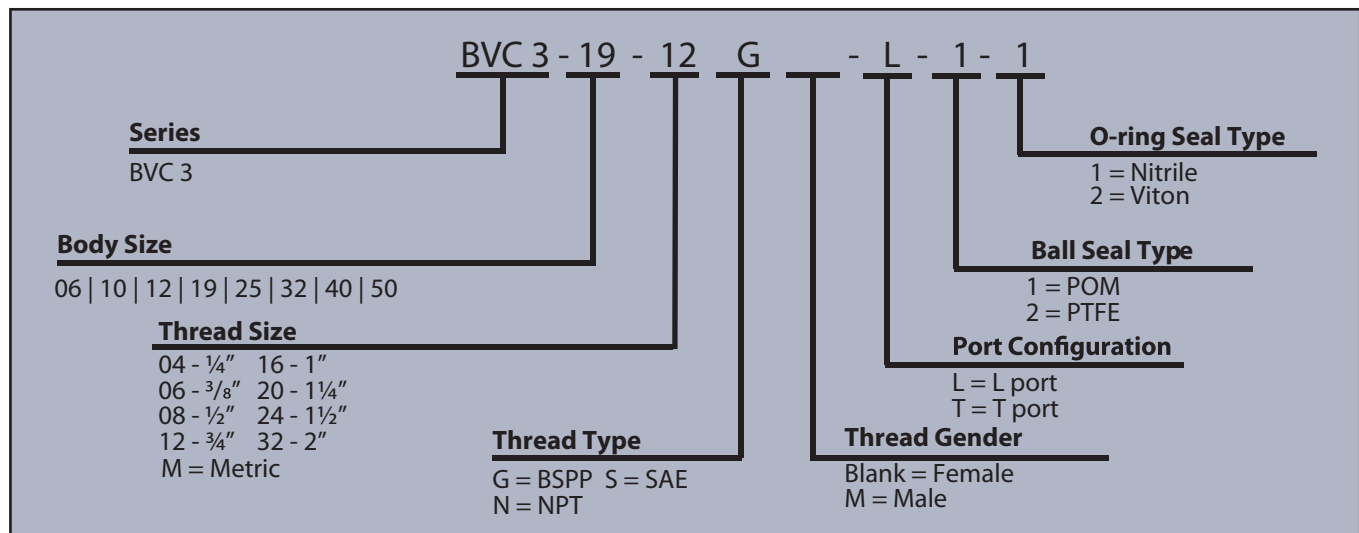
SPECIFICATIONS

- Operating temperatures (With Nitrile seals): -40°C (-40°F) to 106°C (223°F)

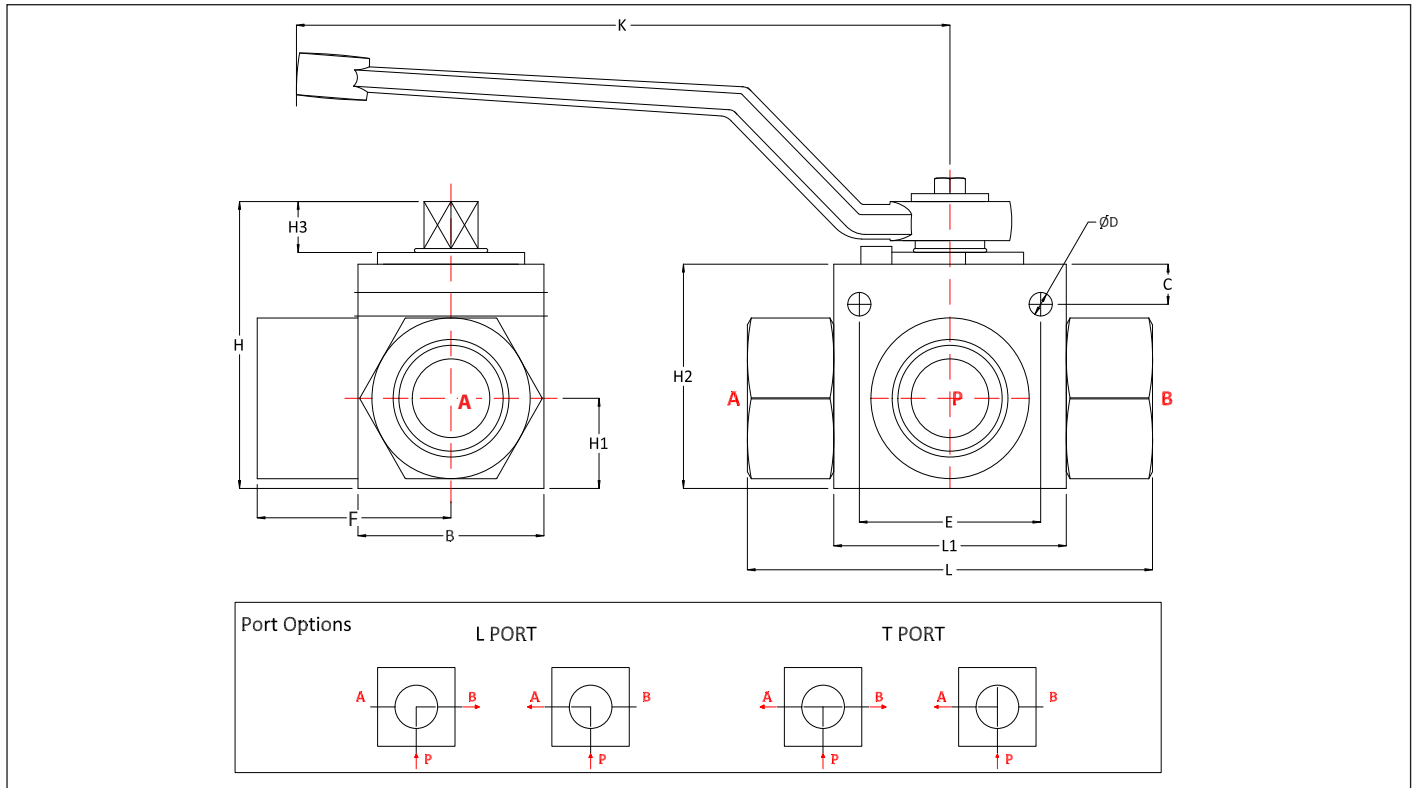
APPLICATIONS

- Designed for usage in general hydraulic systems, machine tools, test equipment, agricultural, and mobile hydraulics

ORDER CODES



DRAWING



DIMENSIONS

| Size | Thread Size (A) | B | C | ØD | E | F | G | H | H1 | H2 | H3 | L | L1 | Maximum Working Pressure | Burst Pressure |
|---------|-----------------|----------------------|-----|------|------|------|-----|-------|------|-------|-----|-------|------|--------------------------|----------------|
| | | Dimensions in mm | | | | | | | | | | | | Bar | |
| | | Dimensions in Inches | | | | | | | | | | | | Psi | |
| BVC3 06 | 1/4" | 28.3 | 5.3 | 4.6 | 25.9 | 35.3 | 107 | 44.3 | 13.5 | 32.5 | 8.5 | 68.7 | 37 | 500 | 2000 |
| | | 1.1 | 0.2 | 0.2 | 1.0 | 1.4 | 4.2 | 1.7 | 0.5 | 1.3 | 0.3 | 2.7 | 1.5 | 7250 | 29000 |
| BVC3 10 | 3/8" | 32.1 | 5 | 6.3 | 32 | 37.3 | 107 | 52.2 | 17.3 | 40.3 | 8.5 | 72 | 42 | 500 | 2000 |
| | | 1.3 | 0.2 | 0.2 | 1.3 | 1.5 | 4.2 | 2.1 | 0.7 | 1.6 | 0.3 | 2.8 | 1.7 | 7250 | 29000 |
| BVC3 12 | 1/2" | 35.2 | 5.6 | 6.5 | 37.5 | 41 | 107 | 52.6 | 18.3 | 40.5 | 8.5 | 83 | 48 | 500 | 2000 |
| | | 1.4 | 0.2 | 0.3 | 1.5 | 1.6 | 4.2 | 2.1 | 0.7 | 1.6 | 0.3 | 3.3 | 1.9 | 7250 | 29000 |
| BVC3 19 | 3/4" | 48.5 | 6.3 | 6.5 | 45 | 50 | 170 | 74.7 | 24.7 | 57.2 | 14 | 95.2 | 60 | 500 | 2000 |
| | | 1.9 | 0.2 | 0.3 | 1.8 | 2.0 | 6.7 | 2.9 | 1.0 | 2.3 | 0.6 | 3.7 | 2.4 | 7250 | 29000 |
| BVC3 25 | 1" | 56.7 | 5.8 | 6.8 | 56 | 58 | 170 | 81.6 | 28.5 | 64 | 14 | 112.8 | 64.9 | 500 | 2000 |
| | | 2.2 | 0.2 | 0.3 | 2.2 | 2.3 | 6.7 | 3.2 | 1.1 | 2.5 | 0.6 | 4.4 | 2.6 | 7250 | 29000 |
| BVC3 32 | 1 1/4" | 75 | 8.3 | 10.8 | 66 | 56 | 234 | 103.5 | 38.5 | 83.9 | 16 | 110 | 84 | 350 | 1400 |
| | | 3.0 | 0.3 | 0.4 | 2.6 | 2.2 | 9.2 | 4.1 | 1.5 | 3.3 | 0.6 | 4.3 | 3.3 | 5075 | 20300 |
| BVC3 40 | 1 1/2" | 85.2 | --- | --- | --- | 66 | 234 | 115.2 | 42 | 95.2 | 16 | 129 | 91.2 | 350 | 1400 |
| | | 3.4 | --- | --- | --- | 2.6 | 9.2 | 4.5 | 1.7 | 3.7 | 0.6 | 5.1 | 3.6 | 5075 | 20300 |
| BVC3 50 | 2" | 105 | --- | --- | --- | 70 | 234 | 133 | 52.5 | 112.5 | 16 | 140 | 100 | 350 | 1400 |
| | | 4.1 | --- | --- | --- | 2.8 | 9.2 | 5.2 | 2.1 | 4.4 | 0.6 | 5.5 | 3.9 | 5075 | 20300 |

PSI= Bar x14.5 Inches= mm/25.4

